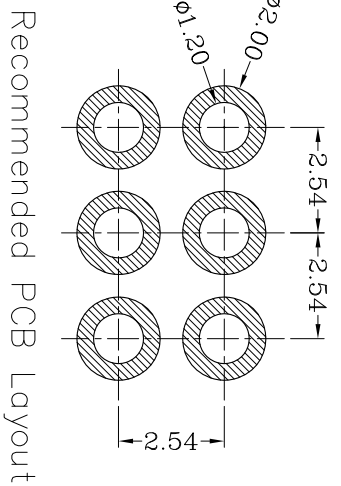
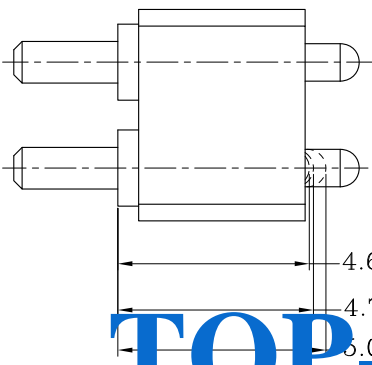
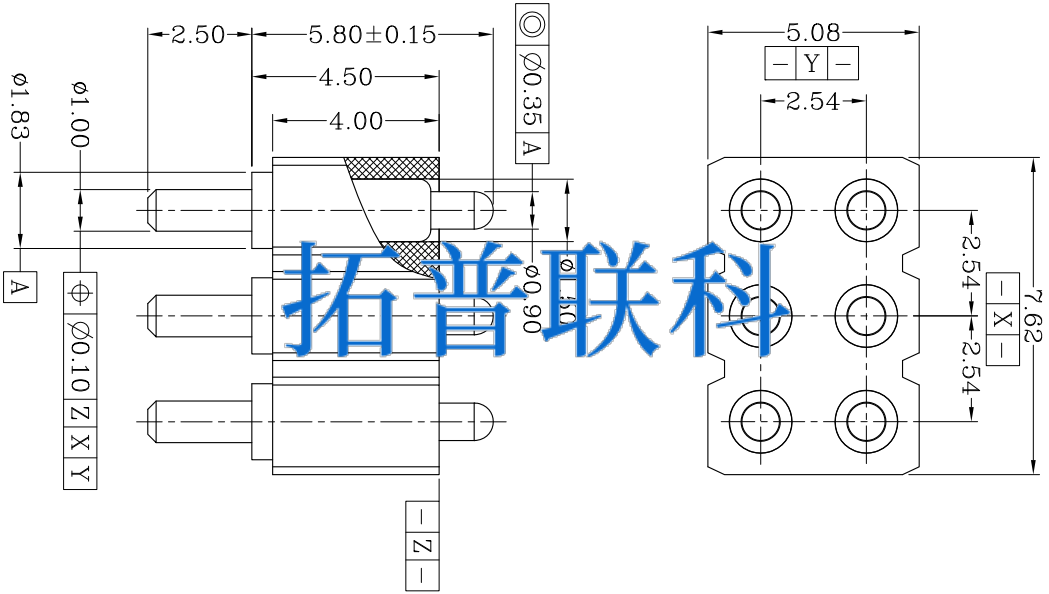


THIS INFORMATION IS CONFIDENTIAL AND IS DISCLOSED TO YOU ON CONDITION THAT NO FURTHER DISCLOSURE IS MADE BY YOU TO OTHER THAN TOP-LINK PERSONNEL WITHOUT WRITTEN AUTHORIZATION FROM TOP-LINK LTD.

DWN No.:

C-10110061476

Proposal



Recommended PCB Layout

working height	4.70mm	90±25gf	<2.1>
Durability	10000cycle		

Item	Part name	Q'ty/Ed	Material	Finish
1	HSG	1	High temp. Plastic UL94 V-0 Color Black	
2	Body	6	Leaded Brass	Gold plating over Nickel plating
3	Plunger	6	Leaded Brass	Gold plating over Nickel plating
4	Spring	6	Stainless steel wire	

- Notes:
- 1 Dimensions shall be interpreted per ASME Y14.5M.
 - 2 Mechanical performance(See the table 1)
<2.1>The force is the average of forces obtained when plunger goes downwards and upwards.
<2.2>Warning: Working height are not permitted to be less than Min working height.
 - 3 Electrical performance
Resistance: 30mOhm Max.
Current rating: 3.5A
4 RoHS compliant.

TOP-LINK

拓普联科

Type		Unit	Weight
Customer drawing		mm	
Top-Link Electronics Ltd.	DWN:	APVD:	
TOLERANCES UNLESS OTHER SPECIFIED	Colwanlu	REL:	
0.0 = ±0.15			
0.00 = ±0.10			
0.000 = ±			
Name: Pogo pin connector			
Scale: 1:1	Size: A4	DWG No.:	Page: 1/1
		C-10110061476	Rev: 2

10110061476
PART NUMBER

Top-Link Electronics Ltd.
TOLERANCES UNLESS OTHER SPECIFIED
0.0 = ±0.15
0.00 = ±0.10
0.000 = ±
Angle: ±1°
SURF. TEXTURE: REMOVE BURRS
BREAK SHARP EDGES
RO.05 MAX.DD NOT SCALE PRINT.

Rev.	Description	Date.
2	Update	2015/09/14
1	NEW	2015/09/11
Revision record.		

4

3

2

1