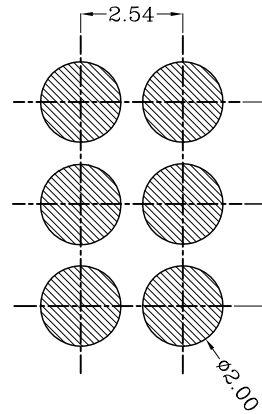
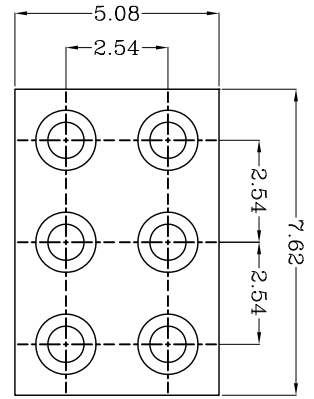
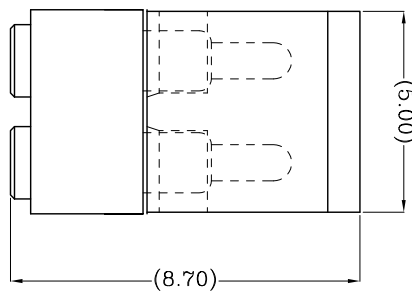
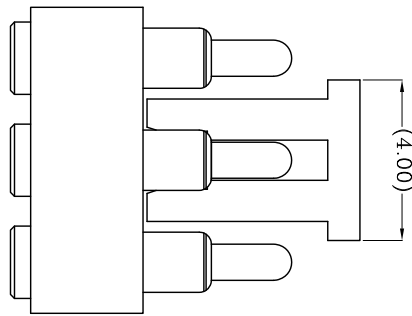
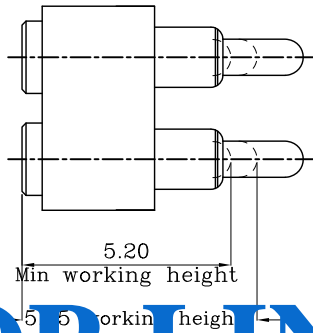
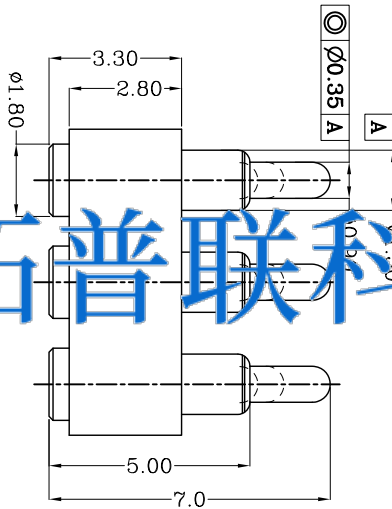


Proposal



Recommended PCB Layout



拓普联科

TOP-LINK

- Notes:
- 1 Dimensions shall be interpreted per ASME Y14.5M.
  - 2 Mechanical performance(See the table 1)
  - <2.1>The force is the average of forces obtained when plunger goes downwards and upwards.
  - <2.2>Warning: Working height are not permitted to be less than Min working height.
  - 3 Electrical performance  
Resistance: 30mOhm Max.  
Current rating: 2.0A
  - 4 Operating temperature: -40°C~+80°C
  - 5 Packaging specification conforms to EIA 481
  - 6 RoHS compliant.

Working height	5.85mm	80gf Min
Durability	10000Cycle	

100995-6  
PART NUMBER

Item	Part name	Qty/Ed	Material	Finish
1	HSG	1	High temp. Plastic UL94 V-0 Color Black	
2	Body	6	Leaded Brass	Gold plating over Nickel plating
3	Plunger	6	Leaded Brass	Gold plating over Nickel plating
4	Spring	6	Stainless steel wire	
5	CAP	1	High temp. Plastic UL94 V-0 Color Black	

Rev.	Revision record.	Date.
	Update	2013/05/27
	NEW	2013/05/23

Top-Link Electronics Ltd.	Type	Customer drawing	Unit	mm	Weight	
TOLERANCES UNLESS OTHER SPECIFIED	DWN:	Qin Zuozhong	APVD:			
0.0 = ±0.15	CHK:		REL:			
0.00 = ±0.10	Angle:					
0.000 = ±	SURF. TEXTURE:					
	REMOVE BURRS:					
	BREAK SHARP EDGES					
	RO.05 MAX. DO NOT SCALE PRINT.					
	Name	Pogo pin connector		DWG No.	C-100995	Page 1/1
	Scale	1:1	Size	A4		Rev. 1.1

DIST  
DIST  
DIST

4

3

2

1