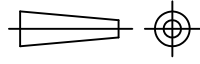
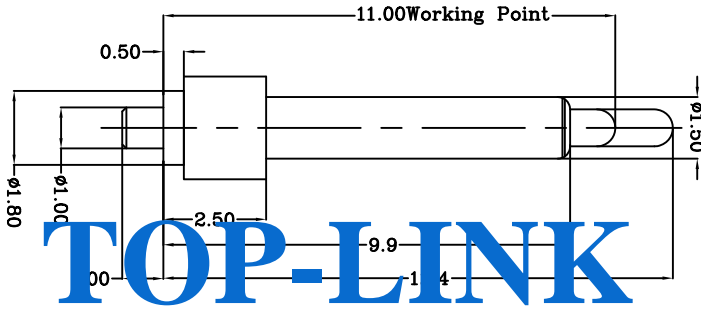
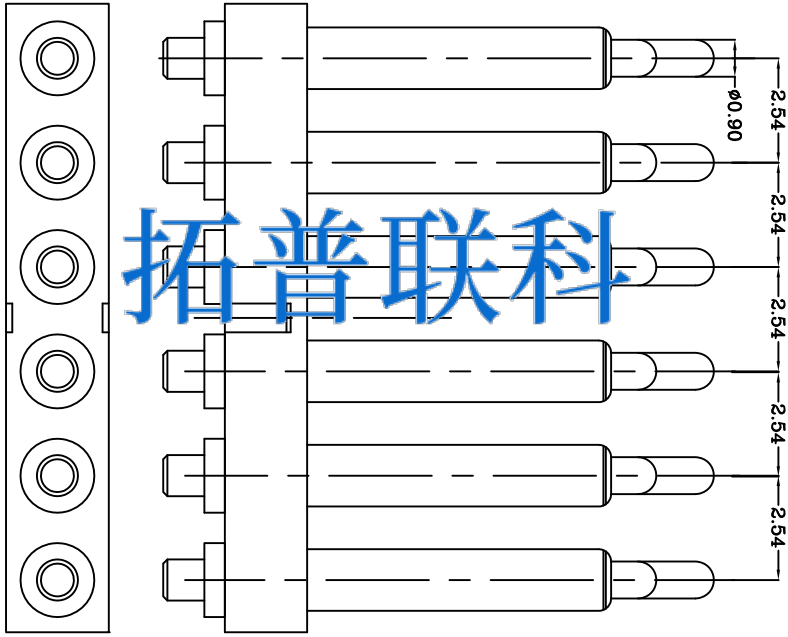
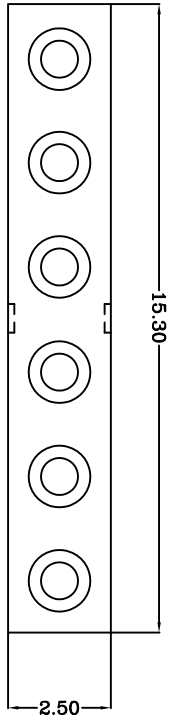


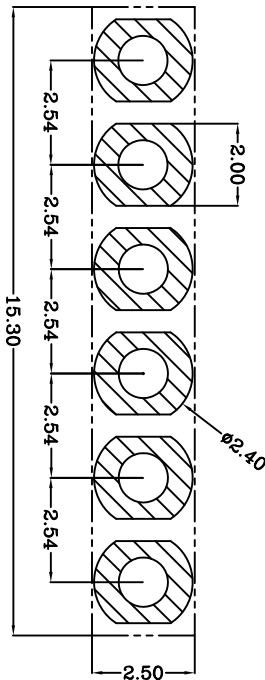
THIS INFORMATION IS CONFIDENTIAL AND IS DISCLOSED TO YOU ON CONDITION THAT NO FURTHER DISCLOSURE IS MADE BY YOU TO OTHER THAN TOP-LINK PERSONNEL WITHOUT WRITTEN AUTHORIZATION FROM TOP-LINK LTD.



DWG NO. C-110408



TOP-LINK



Recommended PCB Layout

- Notes:
- 1 Material, Housing: PA 4,6 (30% Glass Filled)
Color: Black.
 - 2 Mechanical demands:
Plating Plunger: Min 0.4um Au over 1.4um Ni
Plating Body: Min 0.1um Au over 1.4um Ni

Contact: Brass

Color: Black.

DIMENSIONS IN MM
TOLERANCES UNLESS
OTHER SPECIFIED

0	= ±
0.0	= ±0.15
0.00	= ±0.10
0.000	= ±

ANGLE: ±1°

SURF TEXTURE: 32/

REMOVE BURRS, BREAK SHARP EDGES R0.05 MAX DD NOT SCALE PRINT

MATL	DWN	APVD	HT TR	FIN
	Qlr	Lansing		—
CHK	REL			
Jlm				

110408-6

PART NUMBER

NAME BATTERY POGD CONNECTOR 6 POSITIONS

PGC-15-12.4-R-6P-2.54PH

SCALE 1:1 A4 DWG NO. C-110408

NEW	08/10/16	APVD	DATE
REVISION RECORD			
LTR			

LDC -

DIST -

4

3

2

1

USED DN

-

A

B

C

D