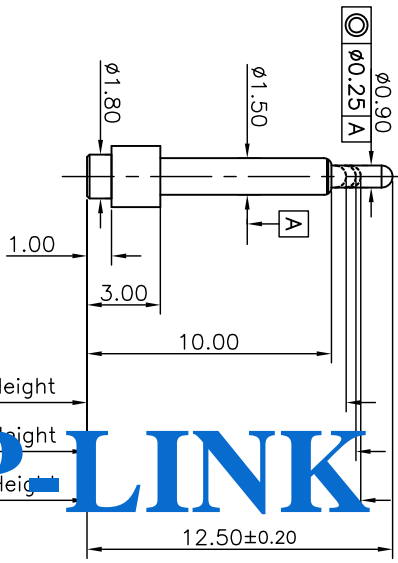
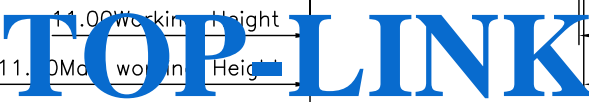


RECOMMEND PCB LAYOUT(TOP VIEW)
Layout Tolerance: ± 0.05mm



10.60Min Working Height
11.00Min Working Height
11.00Min Working Height

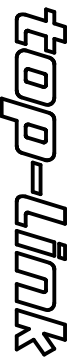


- Notes:
- Dimensions shall be interpreted per ASME Y14.5M
 - Mechanical performance(See the table 1)
 - <2.1>The force is the average of forces obtained when plunger goes downwards and upwards
 - <2.2>Warning:Working height are not permitted to be less than Min working height
 - Electrical performance
 - <3.1>Current rating: 2.0A
 - <3.2>Voltage rating: 36VAC/DC
 - <3.3>Dynamic Resistance:30mOhm Max (between max and min working height)
 - <3.4>Insulation Resistance:100MOhm minimum
 - Environmental performance
 - <4.1> RoHS compliant
 - <4.2>Salt Spray: 48h Min
 - <4.3>Operating Temperature range:-40°C~+85°C
 - <4.4>Withstanding High Temperature:260°C/10Sec
 - Packaging:Carrier tape/Bag/Tray/Tube

Working Height	11mm	70±20gf
Durability	10000 Cycles Min.	

Item	Part Name	Q'ty	Material	Finish
4	Body	1pcs	Leaded Brass	Au 0.1um min plated over 1.4um min Ni
3	Plunger	1pcs	Leaded Brass	Au 0.4um min plated over 1.4um min Ni
2	Spring	1pcs	Stainless steel wire	-----
1	Housing	1pcs	High temp.Plastic; UL94 V-0 Color Black	-----

Top-Link Electronics Ltd.
TOLERANCES UNLESS OTHER SPECIFIED
0.0 = ± 0.15
0.00 = ± 0.10
0.000 = ±
Angle: ±1°
SURF TEXTURE: REMOVE SHARP EDGES
BREAK SHARP EDGES R0.05 MAX,DO NOT SCALE PRINT.



Item	Revision record	Date
XA	New Release	2017.06.28

Customer drawing

DRW: Kaka APRD: Alex

CHK: Henry REL:

Name: Pogo Pin Connector

Scale: 1:1 Size: A4 Part NO.: 10110060555 Page: 1/1 Rev: XA

4 3 2 1