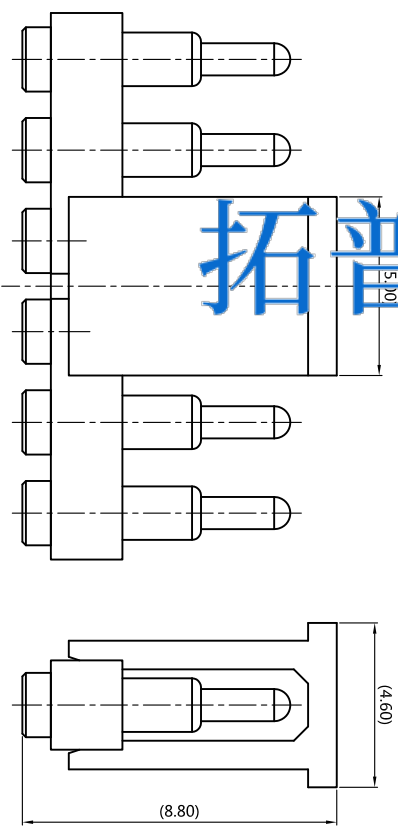
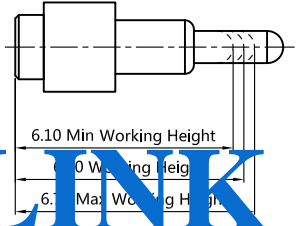
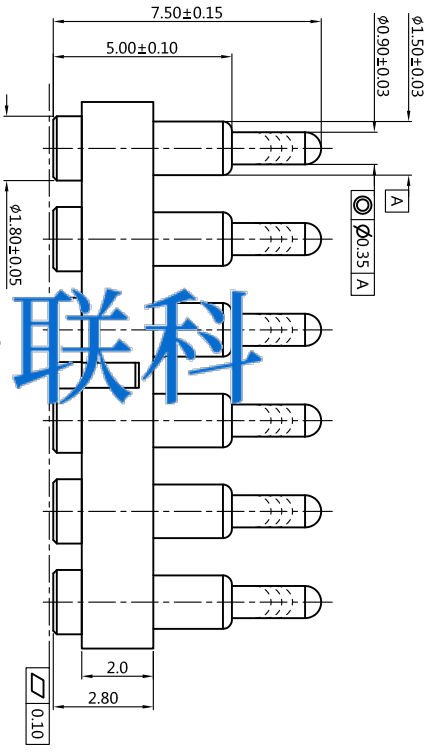


RECOMMEND PCB LAYOUT(TOP VIEW)
Layout Tolerance: ± 0.05mm



TOP-LINK

- Notes:
- 1 Dimensions shall be interpreted per ASME Y14.5M
 - 2 Mechanical performance(See the table 1)
 - <2.1> The force is the average of forces obtained when plunger goes downwards and upwards
 - <2.2> Warning:Working height are not permitted to be less than Min working height
 - 3 Electrical performance
 - <3.1> Current rating: 2.0A
 - <3.2> Voltage rating: 36VAC/DC
 - <3.3> Dynamic Resistance: 30mOhm Max (between max and min working height)
 - <3.4> Insulation Resistance: 100MOhm minimum
 - 4 Environmental performance
 - <4.1> RoHS compliant
 - <4.2> Operating Temperature range: -40°C~+85°C
 - <4.3> Withstanding High Temperature: 260°C/10Sec
 - 5 Packaging: Carrier tape

Working Height	6.40mm	70±25gf
Durability	10000 Cycles Min.	

Item	Part Name	Q'TY	Material	Finish
5	CAP	1pcs	High temp. Plastic; UL94 V-0 Color Black	-----
4	Body	6pcs	Leaded Brass	Au 0.1um min plated over 1.4um min Ni
3	Plunger	6pcs	Leaded Brass	Au 0.4um min plated over 1.4um min Ni
2	Spring	6pcs	Stainless steel wire	-----
1	Housing	1pcs	High temp. Plastic; UL94 V-0 Color Black	-----

Top-Link Electronics LTD.
TOLERANCES UNLESS OTHER SPECIFIED
0.0 = ± 0.25
0.0 = ± 0.15
0.00 = ± 0.10
0.000 = ± 0.005
Angle: ±1°
SURF. TEXTURE: Ra1.6
REMOVE BURRS.
BREAK SHARP
EDGES R0.05 MAX.

DRW:	Customer drawing	Unit	mm
DRW:	Catwanlu	APRD:	
CHK:		REL:	
Name	Pogo Pin Connector		
Scale	Size	Part NO.	Page
1:1	A4	100253-6	1/1

top-link