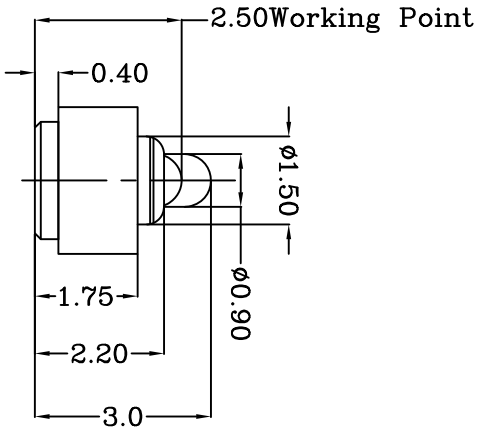


Recommended PCB Layout

TOP-LINK



- Notes:
- 1 Material, Housing: PA 4.6 (30% Glass Filled)
Color Black.
 - Contact: Brass
 - 2 Mechanical demands:
Plating Plunger: 0.4um min Au over 1.4um Ni
Plating Body: 0.1um min Au over 1.4um Ni.

LDC	-
DIST	-

NEW	REVISION	APVD	DATE
LTR	RECORD		

DIMENSIONS IN MM	
TOLERANCES UNLESS	
OTHER SPECIFIED	
0	= ±
0.0	= ±0.15
0.00	= ±0.10
0.000	= ±
ANGLE: ±1°	
SURF TEXTURE: 32/	
REMOVE BURRS, BREAK	
SHARP EDGES R0.05 MAX	
DD NOT SCALE PRINT	

MATL	HT TR	FIN
DWN	APVD	
CHK	REL	
NAME	BATTERY POGO CONNECTOR 6 POSITIONS	
SCALE	1:1	
A4	DWG	C-110512
PGC-1.5-3.0-R-6P-2.54PH		

110512-6	PART NUMBER

Top-Link Electronics
Top-Link Electronics Ltd.

USED DN

4 3 2 1